

Z1184 BOTTOM ACCESS SOLIDS INTERCEPTOR



ENGINEERING SPECIFICATION

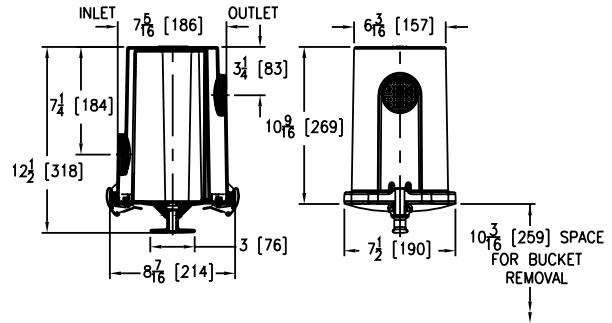
Zurn Z1184 bottom access solids interceptor features acid resistant composite. Works in lieu of fixture "P" trap for suspended installation. Includes removable PVC sediment bucket with a removable 3/32" diameter perforated flow defusing/intercepting PVC screen, designed to intercept all types of solids and precious metals. Bottom access gasketed, secured cover comes complete with stainless steel draw latches and hardware with an ABS combination handle and drain port plug for easy removal of sediment bucket and screen.

NOTES

†Regularly furnished with 2" threaded low inlet and high outlet.

CAUTION

Interceptors must be maintained periodically in order to ensure proper operation of the system. Follow cleaning schedule based on usage.



Inlet/Outlet inch [mm]	Flow Rate gpm [LPM]	Approximate Weight lb [kg]
1-1/2 [38], 2 [51] [†]	15 [57]	6 [3]

PREFIXES	DESCRIPTION	LIST PRICE
Z1184*	Standard Assembly (See Engineering Specification)	1,422.00
ZA1184	Acid Resistant Coated Fabricated Steel (Design different than what is shown.)	2,345.00

SUFFIXES	DESCRIPTION	ADD
-CS	Chrome Plated Finish Interior and Exterior (ZAB Only)	POA
-RS	Replacement 3/32" Diameter Perforated Screen for Bucket	299.00
-SS	Stainless Steel 3/32" Diameter Perforated Screen for Bucket	446.00
-Y	Replacement Bucket Assembly with 3/32" Diameter Perforated Screen	576.00

BEST SELLERS	LIST PRICE
Z1184-1-1/2IP	1,422.00
Z1184-2IP	1,422.00